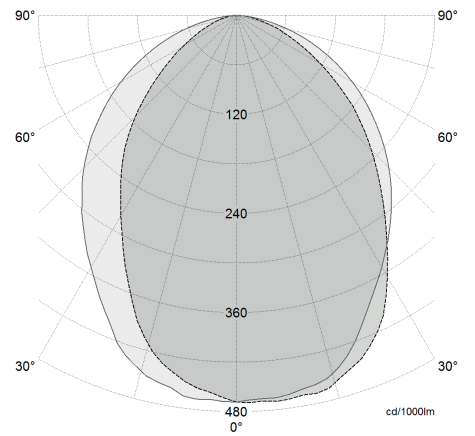
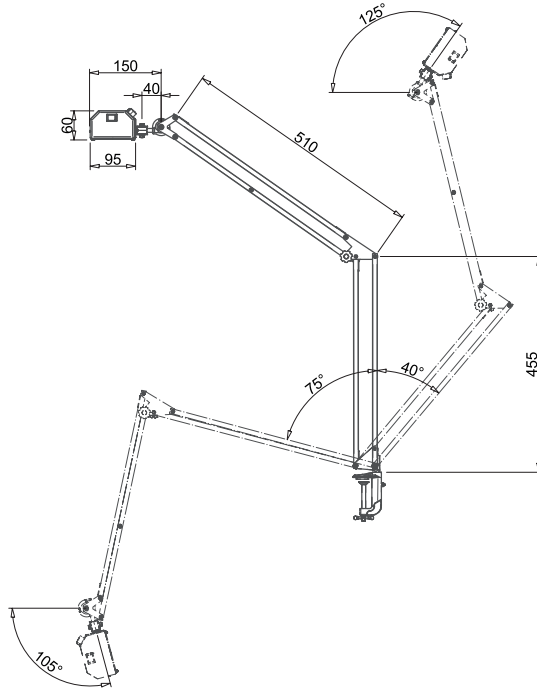
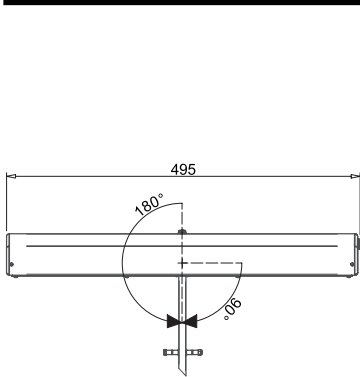
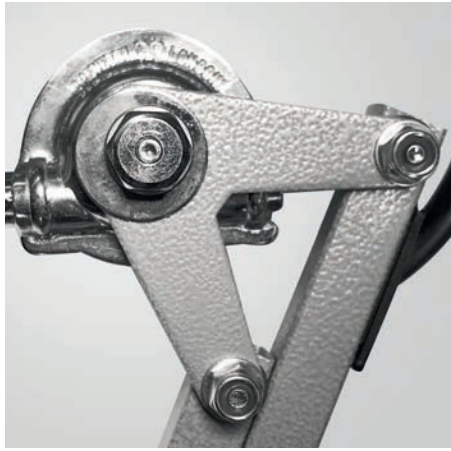




160 LED

The wide rectangular reflector makes the product well suited in all those activities, which require a large illuminated surface.





160LED

The 160-LED model provides diffused and stratified lighting. The product is designed to provide light at 6500 K and is therefore well suited for use in the goldsmithery field. Thanks to the large rectangular reflector, extensive working areas can be lit up.

Code	160LED
Power	20 W
Supply	110-240 V
Illuminance at 50 cm	2.400 Lux
Lumen	1600 lm
Light Intensity Control	0,5%-100%
Color temperature	6.500 K
Dimensions	495 x 95 mm
Structure	Pantograph
Product's life	50,000 hours
IP protection	IP20
IK protection	IK05
Class	I
Cable	H03 VVF 3X0.75 1,75 m with 2P + T 10 A plug
Fixing	s/11 s/12 s/15 clamp



ACCESSORIES



S11

S12

S15

ORDER CODE

Hammered Grey	160LEDGM
Hammered White	160LEDBM