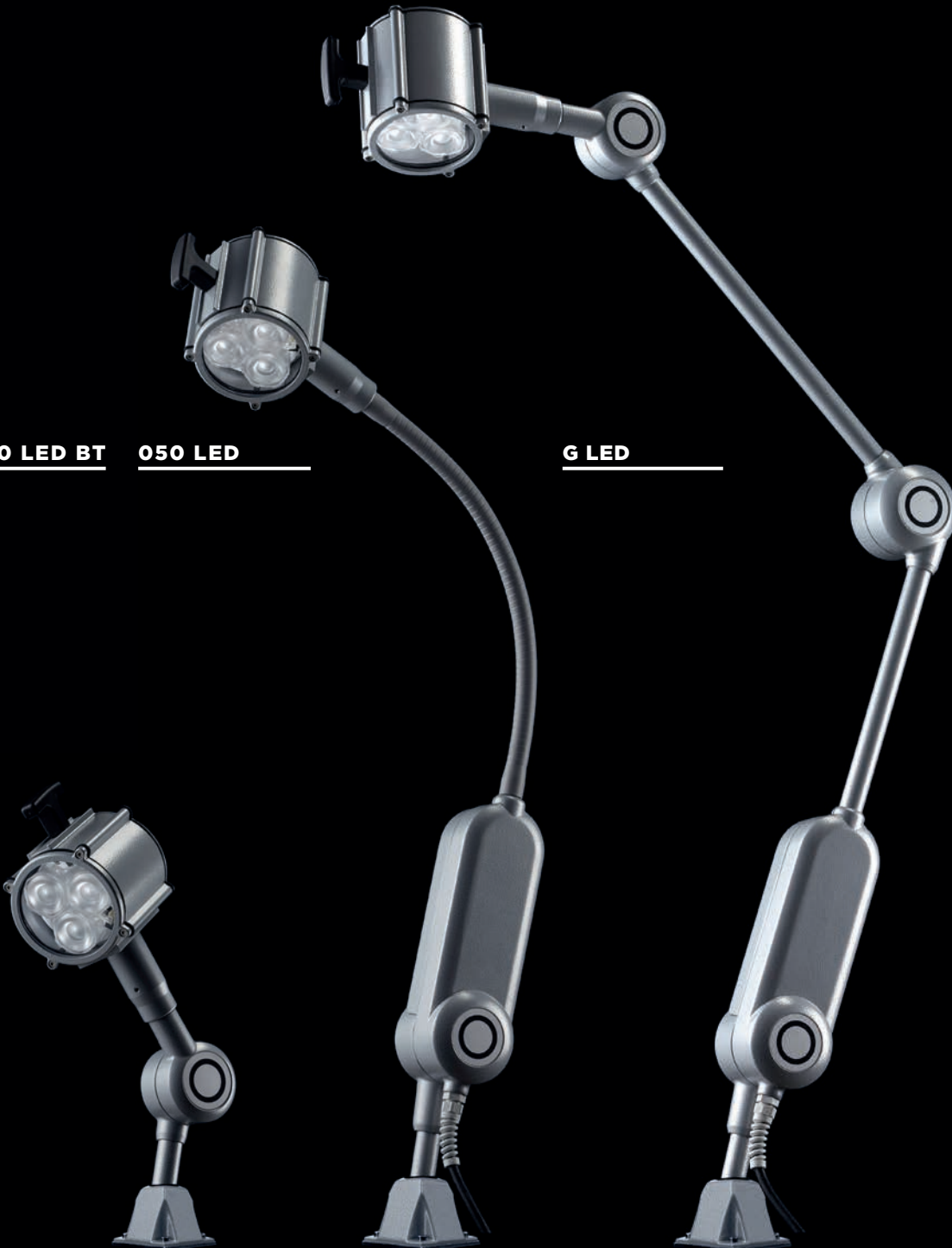


ASK 60 LED BT

050 LED

G LED



*With the G Series, RIMSA has developed three types of arm to meet all requirements. The 050LED model features a flexible arm; the ASK60LED model features an articulated arm, while the GLED model has a long triple-jointed arm.*

# G Series

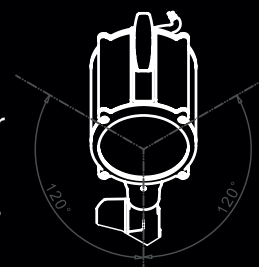
גולית, Ğoliyāt: revolution, strength, robustness. The Golia (G) series takes its name from its technical features which make the products of this series revolutionary, strong and sturdy.

Revolution, strength, robustness. The Golia (G) series takes its name from its technical features which make the products of this series revolutionary, strong and sturdy. The G Series is developed around the lighting fixture, a reflector made of impact-resistant (IK05) and water and dust-resistant (IP66) aluminium. The reflector, specially developed for industrial applications, offers adequate lighting.

Three carefully selected LEDs are housed in the reflector to ensure an intense light and high colour temperature (5500 K) with minimum energy consumption (9 W); dissipation is through a high-performance aluminium and ceramic base which gives the device a working life of around 50,000

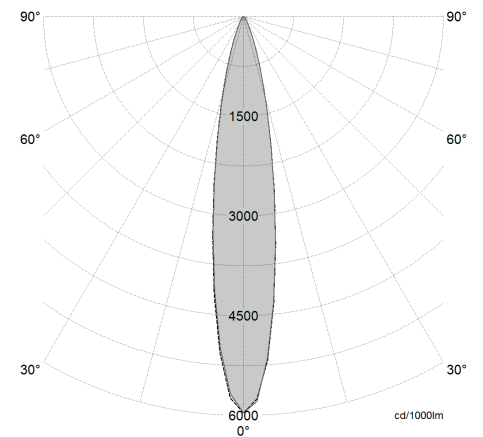
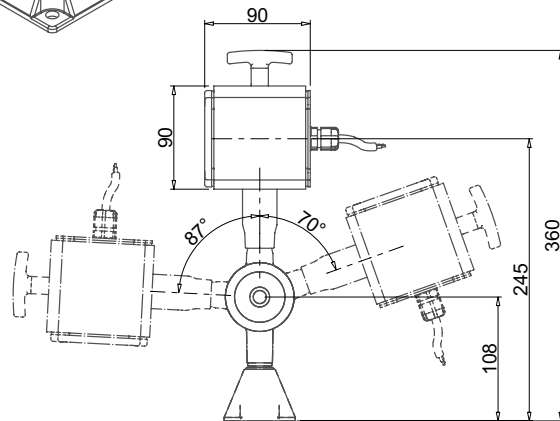
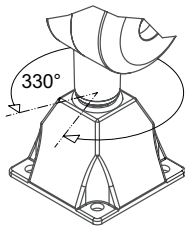
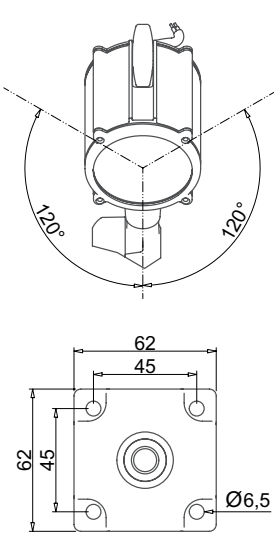
hours. To protect the LEDs, a tempered Pyrex glass has been installed which, together with the special aluminium reflector designed to offer resistance and sturdiness, enables use in the most extreme conditions.

Studied reflector shapes also provide a good visual impact and ensure easy cleaning. The reflector, common to all G-Series products, is designed to provide 240-degree rotation on its axis.





The reflector lens is designed to provide increasing intensity as the distance between the light source and the lighted object decreases; at 30 cm the reflector generates an intensity of 14,000 lx distributed over a diameter of 35 cm, at 50cm 6,000 lx over a diameter of 40 cm while at 70 cm, 3,000 lx over a diameter of 45 cm.





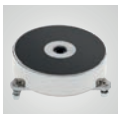
# ASK 60LEDBT

This product is suitable for applications where a lamp source with clear and bright lighting, cool light, vibration resistance and long service life is required. It is recommended for machine tools. The sturdiness of the reflector makes it suitable for use inside machining centres with water and coolant sprays. The small size and light weight of the reflector ensure easy positioning and great stability.

Code	ASK60LEDBT
Power	7 W
Supply	12-24 V ac/dc
Illuminance at 50 cm	6.600 Lux
Lumen	270 lm
Color temperature	5.500 K
Reflector's diameter	90 mm
Structure	1 Joint
Product's life	50.000 hours
IP protection	IP66
IK protection	IK05
Class	III
Cable	H05 RN-F 2X1 2 m (no plug)
Fixing	4 screws



## ACCESSORIES

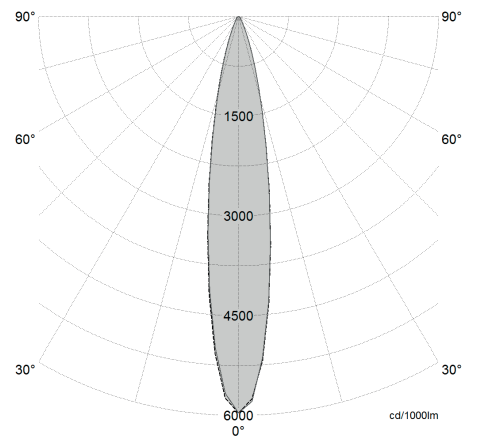
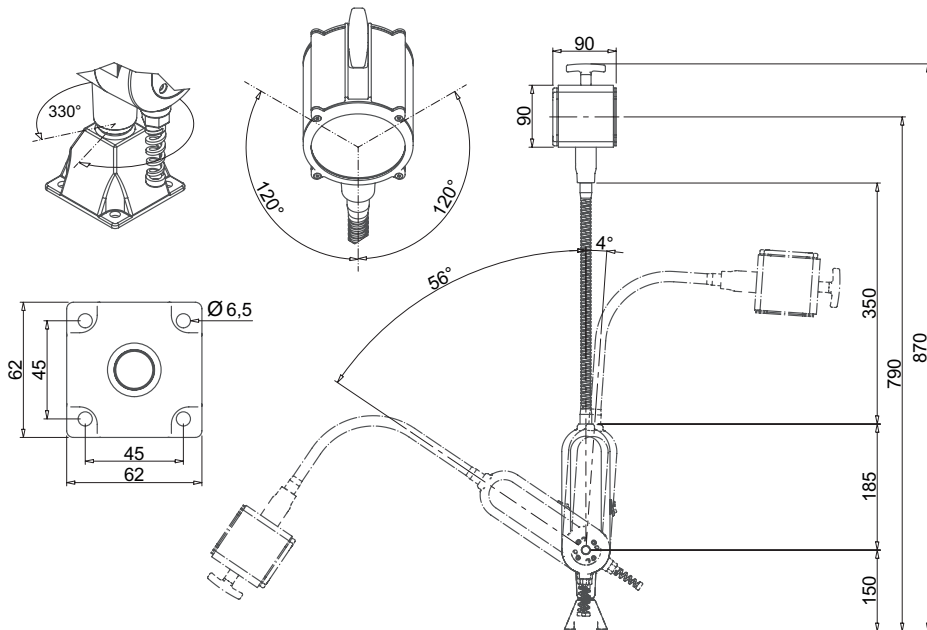


C70

## ORDER CODE

Low Voltage

ASK60-LEDBT





# 050LED

The 050LED model feature the G-Series reflector on a 350 mm flexible arm which allows movement in all directions, ensuring stability even in the event of shocks or vibrations. The flexible arm is connected to a joint which offers an additional movement of 60°. The models are suitable for use on machine tools - the arm structure and its flexibility allow maximum freedom of movement. The product is available in the versions with transformer (TR) and with low voltage (BT).

Code	050LED-TR	050LED-BT
Power	7 W	7 W
Supply	220-240 V ac	12-24 V ac/dc
Illuminance at 50 cm	6.600 Lux	6.600 Lux
Lumen	270 lm	270 lm
Color temperature	5.500 K	5.500 K
Reflector's diameter	90 mm	90 mm
Structure	Flexible arm + 1 joint	Flexible arm + 1 joint
Product's life	50.000 hours	50.000 hours
IP protection	IP66 (reflector); IP40 (structure)	IP66 (reflector); IP40 (structure)
IK protection	IK05	IK05
Class	I	III
Cable	H05 RN-F 3G1 2 m with 2P + T 10 A plug	H05 RN-F 2X1 2 m with VOL.2P 16 A 24 V plug (not connected)
Fixing	4 screws	4 screws



## ACCESSORIES

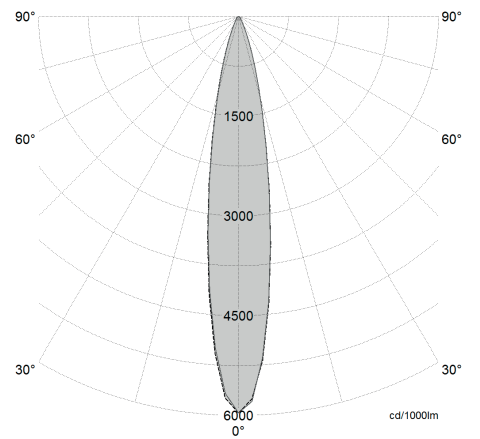
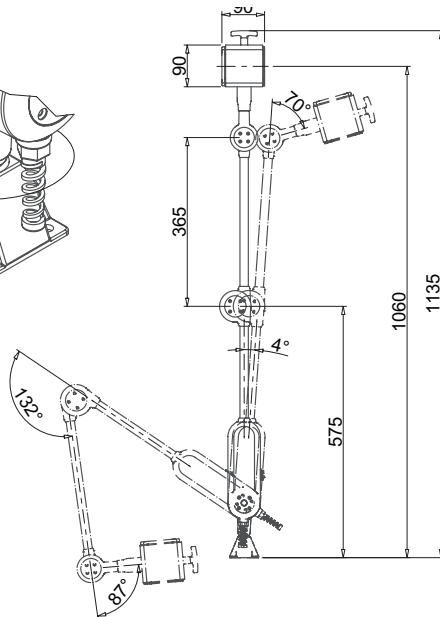
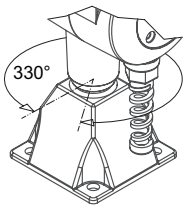
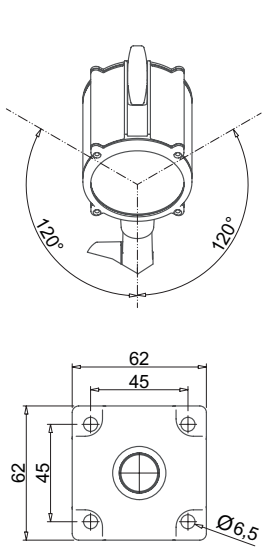


S11\*      C80      RL\*      AMG

\* the accessory requires the adapter AMG

## ORDER CODE

Low Voltage	<b>050LED-BT</b>
With Transformer	<b>050LED-TR</b>





# GLEED

The GLED model has a 3-joint arm of considerable length (1180 mm) which allows it to be used in circumstances where the operator is engaged in machining large parts or where ample-range movement of the light source is required. The product is available in the versions with transformer (TR) and with low voltage (BT).

Code	GLEED-TR	GLEED-BT
Power	7 W	7 W
Supply	220-240 V ac	12-24 V ac/dc
Illuminance at 50 cm	6.600 Lux	6.600 Lux
Lumen	270 lm	270 lm
Color temperature	5.500 K	5.500 K
Reflector's diameter	90 mm	90 mm
Structure	3 joints	3 joints
Product's life	50.000 hours	50.000 hours
IP protection	IP66 (reflector); IP40 (structure)	IP66 (reflector); IP40 (structure)
IK protection	IK05	IK05
Class	I	III
Cable	H05 RN-F 3G1 2 m with 2P + T 10 A plug	H05 RN-F 2X1 2 m with VOL.2P 16 A 24 V plug (not connected)
Fixing	4 screws	4 screws



## ACCESSORIES



S11\*

RL\*

AMG

\* the accessory requires the adapter AMG

## ORDER CODE

Low Voltage	<b>GLEED-BT</b>
With Transformer	<b>GLEED-TR</b>