

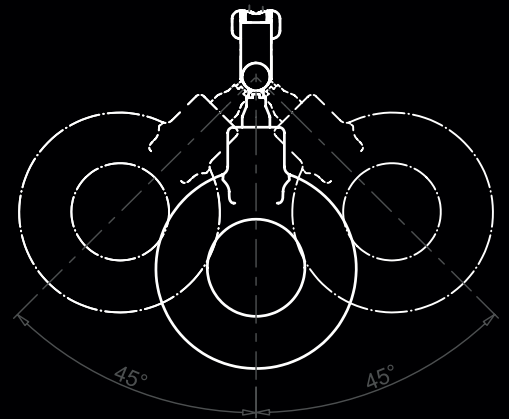
C Series

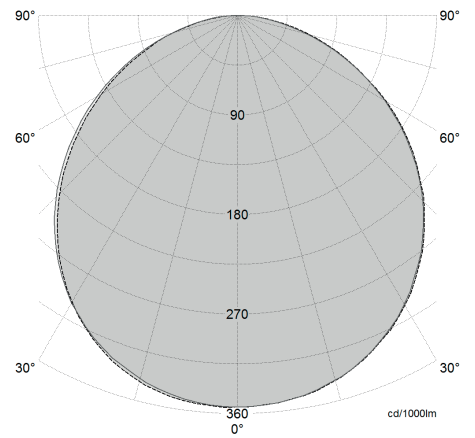
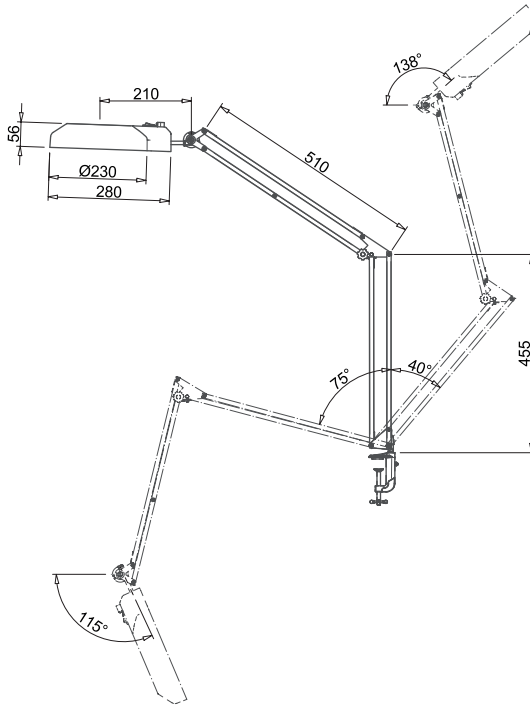
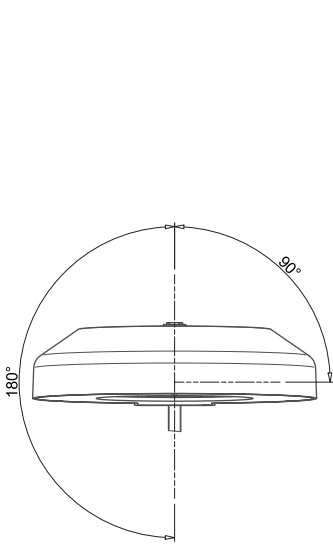
The products of the C Series present a 3 dioptries magnifying lens which allows the user to focus on the smallest details.

The appropriate magnification of an object puts the eye in a position to capture details more quickly, increasing the degree of precision.

Adding good lighting to a work area increases safety and reduces visual effort. The combination of these two elements with the aid of a comfortable arm allows the user to make the best use of his/her visual capabilities and expertise.

The lens used on the C Series models are made of polished optical glass in order to avoid visual fatigue, migraine headaches, distortions or misrepresentation of the colours of the object observed which would occur in the case of plastic lenses or other types of glass lenses. The lens has 3 dioptries, thus offering 175% more magnification than the original. The products of the C-Series are also available with intensity control function.







188LED

The 188LED model is particularly suitable for industrial use for lighting during precision work such as quality control, control of printed circuit boards, and for mould making; in the graphic field for checking prints and lithographs and in the private sector for modelling, sewing, philately or reading. The product is suitable in the medical field for minor surgery, eye surgery, podiatry, dermatology, and in the beauty treatment sector, in spas or beauty centres.

Code	188-LED
Power	9,5
Supply	220-240 V
Illuminance at 50 cm	1.700 Lux
Lumen	1280 lm
Light Intensity Control (only available on dimmable products)	0,5%-100%
Diopters	3 (175%)
Color temperature	6.500 K
Reflector's diameter	230 mm
Structure	Pantograph
Product's life	50,000 hours
IP protection	IP20
IK protection	IK03
Class	I
Cable	H03 VVF 3X0.75 1,75 m with 2P + T 10 A plug
Fixing	s/11 s/12 s/15 clamp



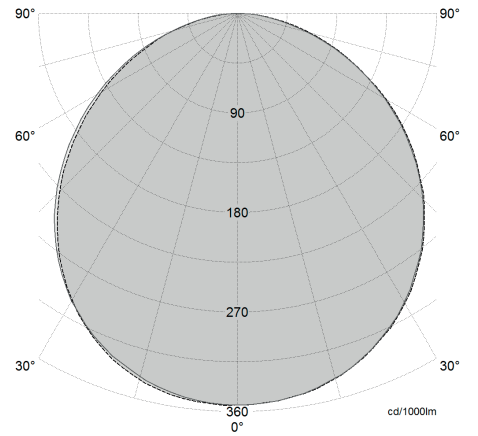
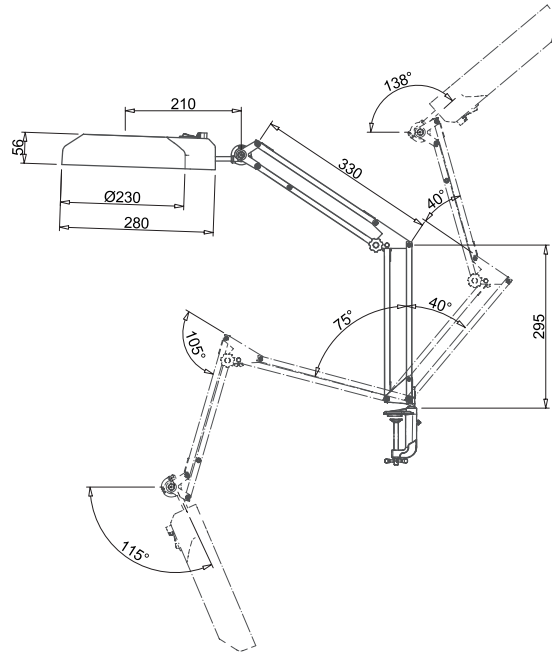
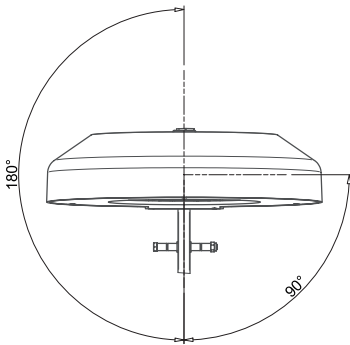
ACCESSORIES



S11 S12 S15 RL

ORDER CODE

Hammered Grey	188-LEDGM
Hammered Grey with Dimmer	188D-LEDGM
Hammered White	188-LEDBM
Hammered White with Dimmer	188D-LEDBM





198LED

The 198LED model is purposely designed to be used on desks. Despite the limited extension of the pantograph arm its stability is guaranteed by ad-hoc engineered springs. The model can be fixed with clamps or with a desk base.

Code	198-LED
Power	9,5 W
Supply	220-240 V
Illuminance at 50 cm	1.700 Lux
Lumen	1280 lm
Light Intensity Control (only available on dimmerable products)	0,5%-100%
Diopters	3 (175%)
Color temperature	6.500 K
Reflector's diameter	230 mm
Structure	Pantograph
Product's life	50.000 ore
IP protection	IP20
IK protection	IK03
Class	I
Cable	H03 VVF 3X0.75 1,75 m with 2P + T 10 A plug
Fixing	S11/S15/S12 clamp



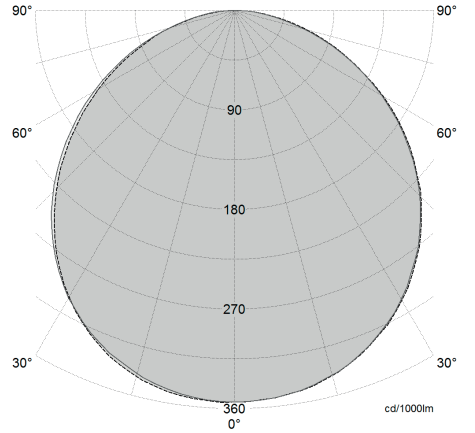
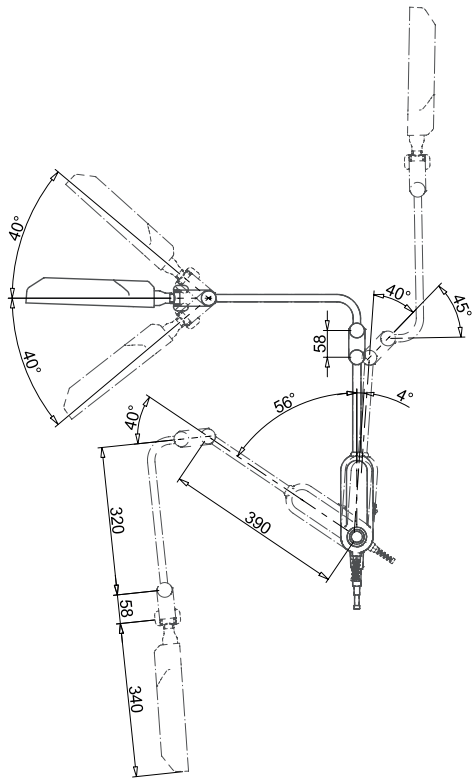
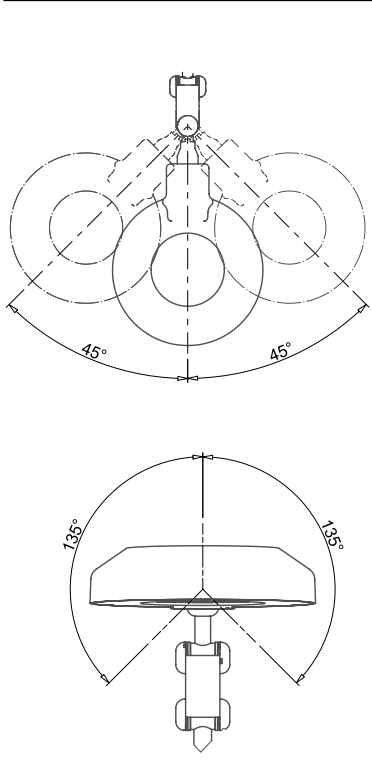
ACCESSORIES



S11 S12 S15 RL BASEPE

ORDER CODE

Hammered Grey	198-LEDGM
Hammered Grey with Dimmer	198D-LEDGM
Hammered White	198-LEDBM
Hammered White with Dimmer	198D-LEDBM





L88LED

The special arm available on the L88LED model allows for stability under strong vibrations. Because of its sturdiness, the product appears to be a very good companion in the industrial environment.

Code	L88-LED
Power	9,5 W
Supply	220-240 V
Illuminance at 50 cm	1.700 Lux
Lumen	1280 lm
Light Intensity Control (only available on dimmerable products)	0,5%-100%
Diopters	3 (175%)
Color temperature	6.500 K
Reflector's diameter	230 mm
Structure	3 Joints
Product's life	50.000 ore
IP protection	IP20
IK protection	IK03
Class	I
Cable	H03 VVF 3X0.75 1,75 m with 2P + T 10 A plug
Fixing	Morsetto S11/S15/S12



ACCESSORIES



S11

S15

RL

ORDER CODE

Hammered Grey	L88-LEDGM
Hammered Grey with Dimmer	L88D-LEDGM
Hammered White	L88-LEDBM
Hammered White with Dimmer	L88D-LEDBM