



CAVALIER VERSIONS AVAILABLE:



CEILING

(code **CAVALIERSO**)



CEILING - DOUBLE

(code **CAVALIERX2**)



MOBILE

(code **CAVALIERPI**)



WALL

(code **CAVALIERPA**)

CAVALIER

Cavalier is a great solution for both outpatient and minor surgery; its features make it suitable for any kind of operation combining the extreme handling of an examination light.

The 28 lenses, distributed into a 40cm reflector, convey the rays emitted by the led onto the operating field, granting shadows suppression and three-dimensional light.

MANUAL FOCUS ADJUSTMENT

Rotating the central knob is possible to adjust focus and light field diameter. The diameter of the light pattern can be adjusted from 11 to 33cm, with a maximum light intensity of 120.000 lux.

COLOR CHANGING

Through the digital membrane keyboard is possible to adjust the colour temperature: 4.500-5.000K. The use of white leds only in two different shades, avoid any troublesome coloured shadows.

DISSIPATION

The aluminium cap allows an awesome dissipation of the heat emitted by the led, granting a lifetime of 60.000 hours and a low power consumption (47W only).

MOVEMENTS

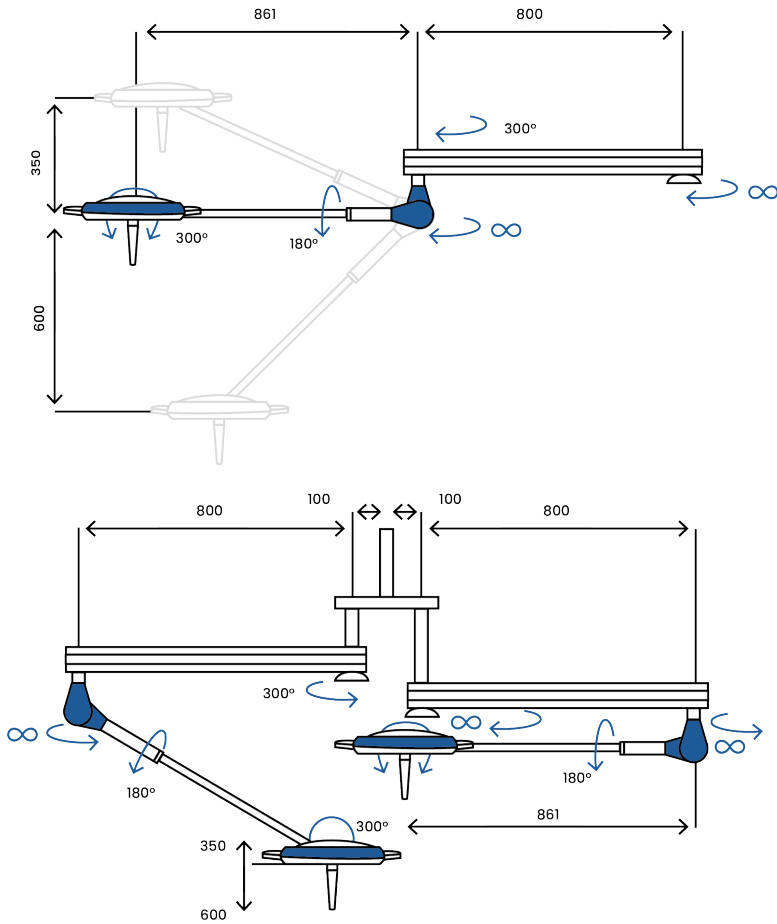
RIMSA develops and manufactures directly Cavalier arm structure, which confers lightness and manoeuvrability.

CLEANING

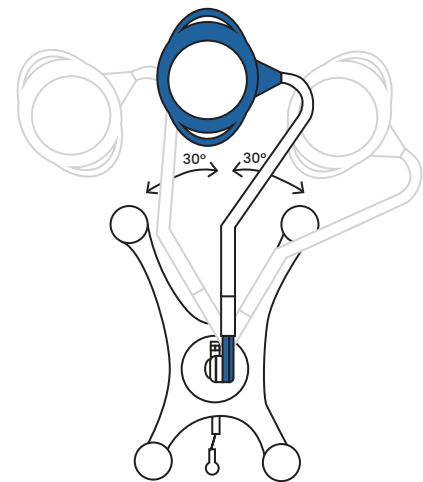
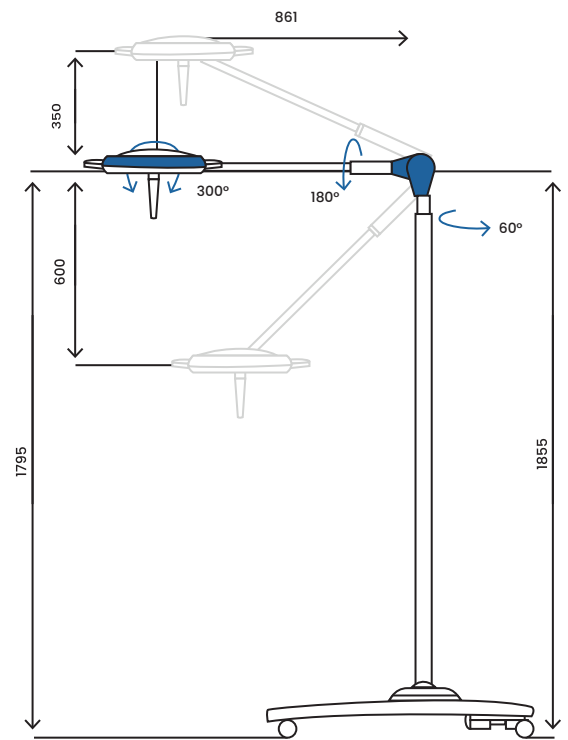
The smooth and regular surface of Cavalier makes the cleaning and disinfecting procedures easier.



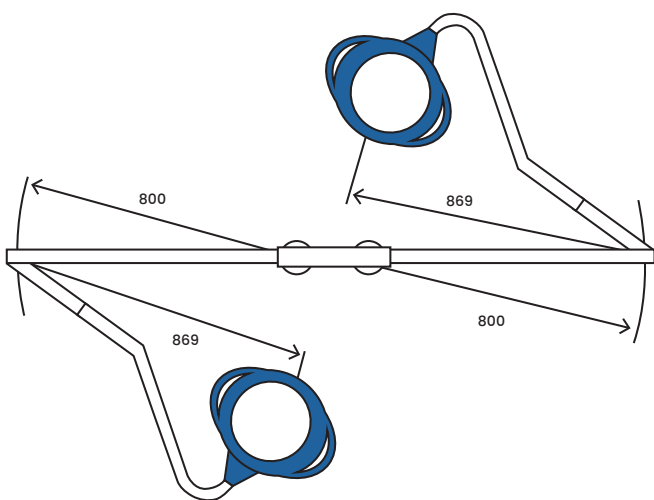
CAVALIERSO



CAVALIERPI

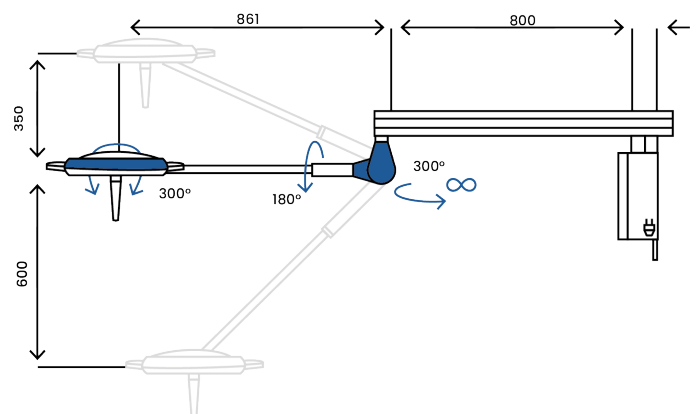


CAVALIERX2



unit of measurement: mm

CAVALIERPA





PERFORMANCES

Light intensity at 1 m distance (Ec)	Klx	120
Color temperature	K	4.500-5.000
Color rendering index (CRI)	Ra	95
Color rendering index R9		> 90
Diameter adjustment from - to -	mm	110-330
d10 light field diameter where illuminance reached 10% of Ec	mm	280
Depth of illumination IEC 60601-2-41 (L1+L2) at 60%	cm	92
Depth of illumination IEC 60601-2-41 (L1+L2) at 20%	cm	155
Max irradiance	W/m ²	456
Irradiance / illumination	mW/m ² lx	3,62

POWER CONNECTION DETAILS

Primary alternate voltage (ac)	V	100-240
Frequency	Hz	50/60
Electrical absorption	W - VA	47 - 82
Light head diameter	cm	40
N. of LEDs	LED	28
Average LED life	hours	>60.000
Control of the illuminance		20 - 100 %