

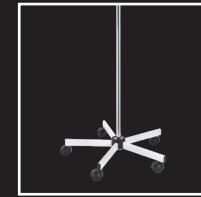
Recommended where the operator is engaged in machining large parts or where ample-range movement of the light source is required.

G-LED

ACCESSORIES



S11*



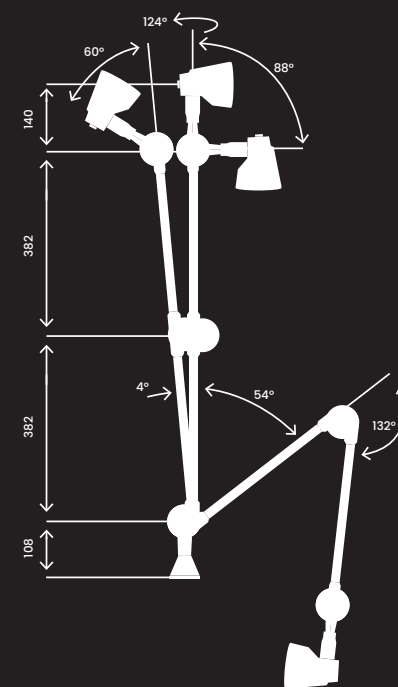
RL*



AMG

* this accessory requires AMG adapter

Power	9.5 W	9.5 W
Supply	110-240 V	12-24 V ca/cc
Illuminance at 50 cm	30.000 lux	30.000 lux
Colour Temperature	4.600 K	4.600 K
Reflector's diameter	90 mm	90 mm
Diameter of the light field	190 mm	190 mm
Product's life	50.000 hours	50.000 hours
Structure	Reflector + 3 Joints	Reflector+ 3 Joints
IP Protection	IP 66	IP 66
IK Protection	IK 05	IK 05
Class	III	III
Cabling	Plug-top transformer; interchangeable plugs ; interchangeable plugs	AWG 2x21
Fixing	4 screws	4 screws
Colours	Hammered Grey	Hammered Grey
Order Code	G-LED-TR	G-LED-BT



GM Hammered Grey

ORDER CODE

LOW VOLTAGE:
G-LED-BT

WITH TRANSFORMER:
G-LED-TR