

AUGMENTED REALITY



compatible with iOS devices



The special rubberised finishes in black, imbue the product with elegance and make it an ideal companion in the office.

Mod.80

ACCESSORIES



S11



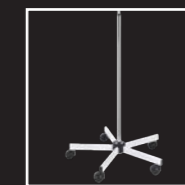
S12



S15

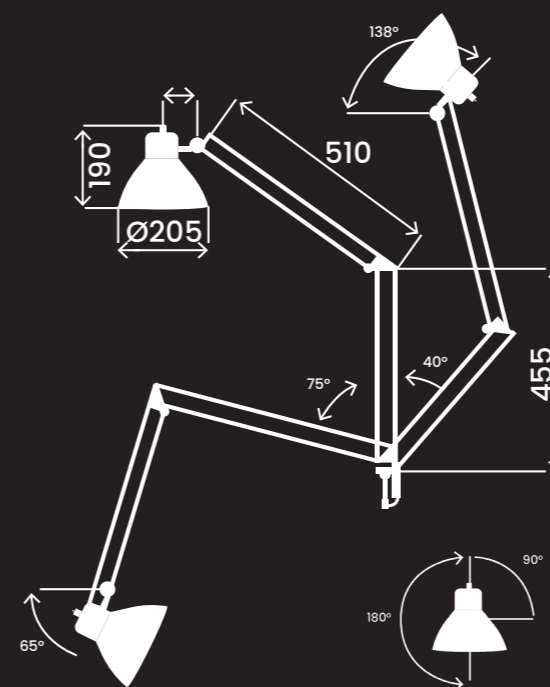


BASEPE



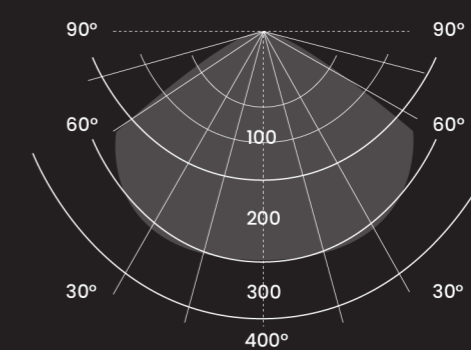
RL

Power	60 W
Supply	220-240 V
ES	E27 / P45 85mm type
Reflector's diameter	205 mm
Structure	Pantograph
IP Protection	IP20
Class	I
Fixing systems	S11, S12, S15, Desk Base (Basepe), RL
Colour	Rubberised Black
Code	80NG
Cabling	170 cm with plug type C (European - 2 pins) - upon request type G (British - 3 pins)



CODE

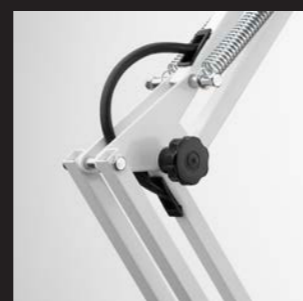
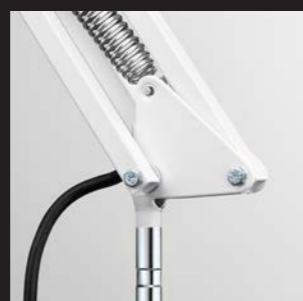
NG 80NG Rubberised Black



AUGMENTED REALITY



compatible with iOS devices



Reflector consisting of a top part in glass fibre filled nylon and a lower part in spun iron with finishing edge. It can be used with both LED and Incandescent bulbs.

Mod.10

ACCESSORIES



S11



S12



S15



BASEPE



RL

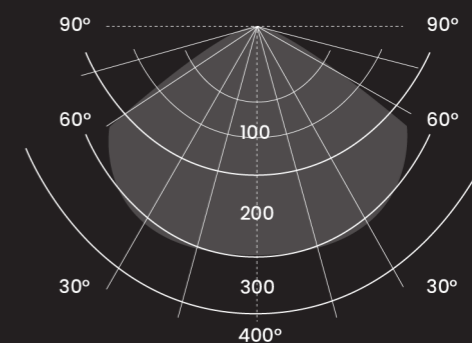
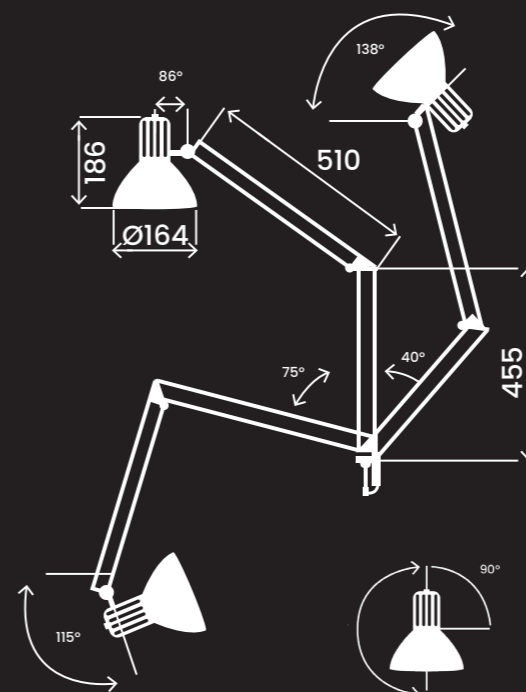


GP

Power	60 W
Supply	220-240 V
ES	E27 / P45 85mm type
Reflector's diameter	160 mm
Structure	Pantograph
IP Protection	IP20
Class	I
Fixing systems	S11, S12, S15, Desk base (Basepe), RL
Colours	Black, Grey, White
Code	10NE, 10GR, 10BI
Cabling	170 cm with plug type C (European - 2 pins) - upon request type G (British - 3 pins)

CODE

- NE** 10NE Black
- GR** 10GR Grey
- BI** 10BI White

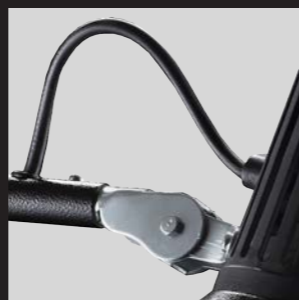
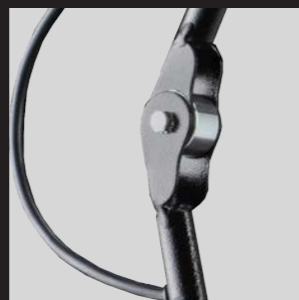




AUGMENTED REALITY



compatible with iOS devices



Usable with LED and incandescent bulbs, the product is suitable for working environments with strong vibrations or where it is required that the product maintains a fixed position. For a more comfortable handling, there is a handle on the reflector.

Mec103

ACCESSORIES



S11*



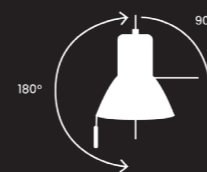
AS2



GP

*this accessory requires AS2 adapter

Power	60 W
Supply	220-240 V
ES	E27 / P45 85mm type
Reflector's diameter	160 mm
Structure	1012 mm with 4 compensated articulations
IP Protection	IP20
IK Protection	IK04
Class	I
Fixing	3 screws
Colour	Hammered black
Code	MEC103NM
Cabling	170 cm with plug type C (European - 2 pins) - upon request type G (British - 3 pins)



CODE

NM MEC103NM Hammered black

