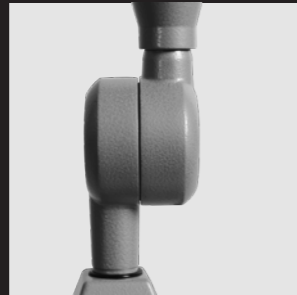


AUGMENTED REALITY

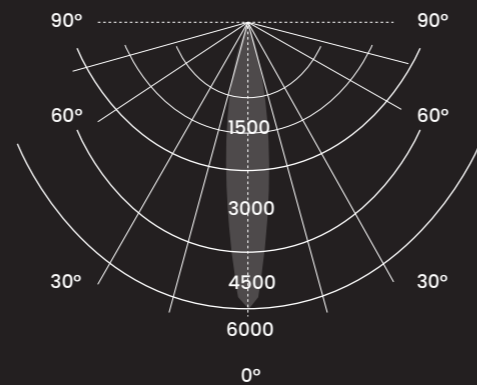


compatible with iOS devices

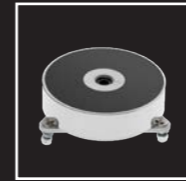


This product is suitable for applications where a lamp source with clear and bright lighting, cool light, vibration resistance and long duration life is required. It is recommended for machine tools.

ASK60-LED

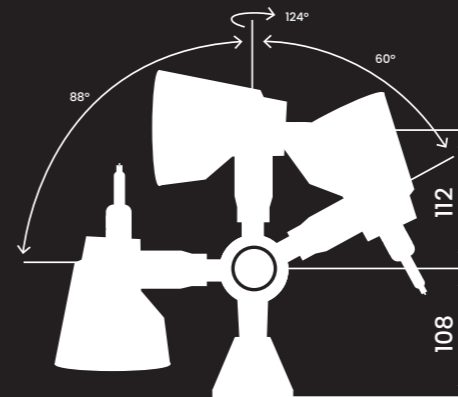


ACCESSORIES



C70

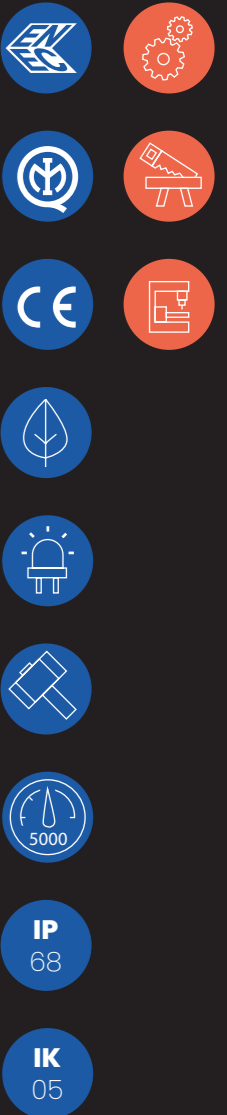
Power	8 W
Supply	12- 24 V ca/cc
Illuminance at 50 cm	30.000 Lux
Colour of Temperature	5.000 K
Reflector's diameter	90 mm
Diameter of the light field	190 mm
Product's life	50.000 hours
Colour rendering index (CRI)	87 Ra
Luminous flux	550 lm
Structure	Reflector+ 1 Joint
IP Protection	IP 68
IK Protection	IK 05
Class	III
Cabling	H05 RN-F 2X1 2 m (no plug)
Fixing	4 screws
Colours	Hammered Grey
Code	ASK60-LED-BT



CODE



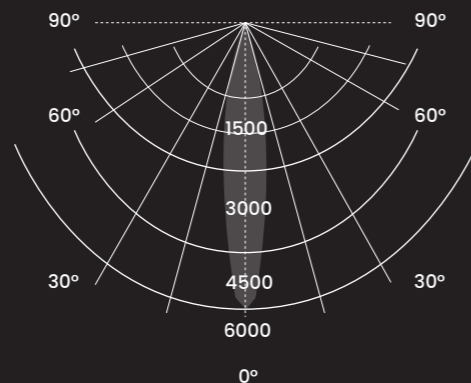
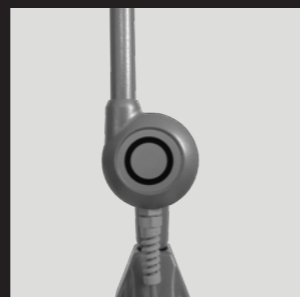
LOW VOLTAGE:
ASK60-LED-BT
Hammered Grey



AUGMENTED REALITY



compatible with iOS devices



This model is suitable for use on machine tools: the arm structure and its flexibility allow maximum freedom of movement.

050-LED

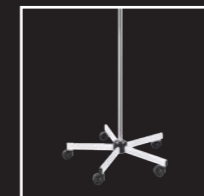
ACCESSORIES



S11*



C80



RL*



AMG

* this accessory requires AMG adapter

Power	8 W	8 W
Supply	110-240 V	12-24 V ca/cc
Illuminance at 50 cm	30.000 Lux	30.000 Lux
Colour Temperature	5.000 K	5.000 K
Reflector's diameter	90 mm	90 mm
Diameter of the light field	190 mm	190 mm
Product's life	60.000 hours	60.000 hours
Colour rendering index (CRI)	87 Ra	87 Ra
Luminous flux	550 lm	550 lm
Structure	Reflector + flexible arm + 1 Joint	Reflector + flexible arm + 1 Joint
IP protection	IP 66	IP 66
IK Protection	IK 05	IK 05
Class	III	III
Cabling	Plug-top transformer with AWG 2X21; plug type C (European - 2 pins) upon request type G (British - 3 pins)	AWG 2X21
Fixing	4 screws	4 screws
Colour	Hammered Grey	Hammered Grey
Code	050-LED-TR	050-LED-BT

GM Hammered grey

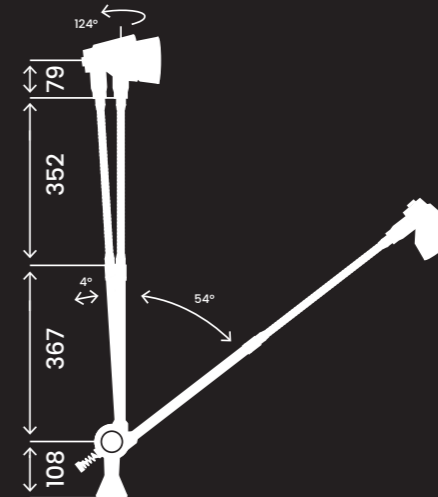
CODE

LOW VOLTAGE:

050-LED-BT

WITH TRANSFORMER:

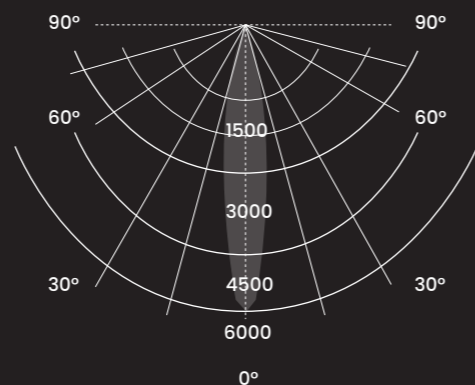
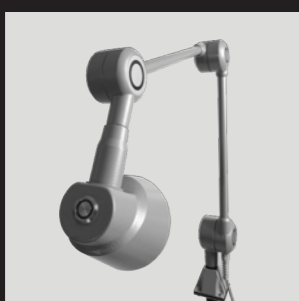
050-LED-TR



AUGMENTED REALITY



compatible with iOS devices



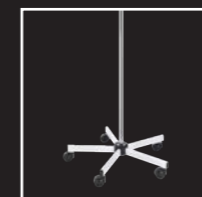
Recommended where the operator is engaged in machining large parts or where ample-range movement of the light source is required.

G-LED

ACCESSORIES



S11*



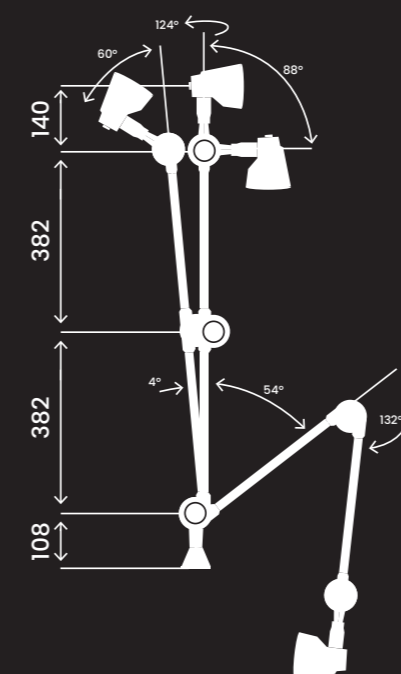
RL*



AMG

* this accessory requires AMG adapter

Power	8 W	8 W
Supply	110-240 V	12-24 V ca/cc
Illuminance at 50 cm	30.000 lux	30.000 lux
Colour Temperature	5.000 K	5.000 K
Reflector's diameter	90 mm	90 mm
Diameter of the light field	190 mm	190 mm
Product's life	50.000 hours	50.000 hours
Colour rendering index (CRI)	87 Ra	87 Ra
Luminous flux	550 lm	550 lm
Structure	Reflector + 3 Joints	Reflector + 3 Joints
IP Protection	IP 66	IP 66
IK Protection	IK 05	IK 05
Class	III	III
Cabling	Plug-top transformer with AWG 2X21; plug type C (European - 2 pins) upon request type G (British - 3 pins)	AWG 2x21
Fixing	4 screws	4 screws
Colours	Hammered Grey	Hammered Grey
Code	G-LED-TR	G-LED-BT



GM Hammered Grey

CODE

LOW VOLTAGE:
G-LED-BT

WITH TRANSFORMER:
G-LED-TR

