



CODE

GM **166-LED-GM**
Hammered grey

BM **166-LED-BM**
Hammered white



AUGMENTED REALITY



Compatible with iOS devices

The particular shape of the reflector offers a lighting solution to anyone who, in search of a point of light, is not satisfied with a round or rectangular shape. The pantograph arm guarantees wide and reliable movements.

166-LED

ACCESSORIES



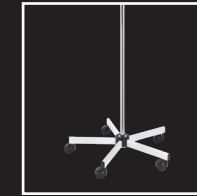
S11



S12



S15

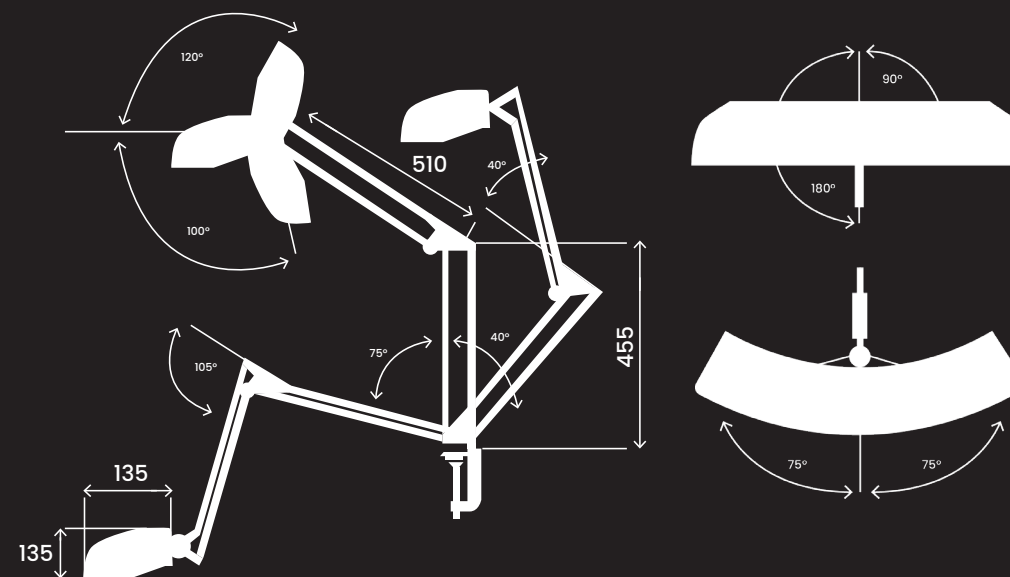


RL



KITB24RL

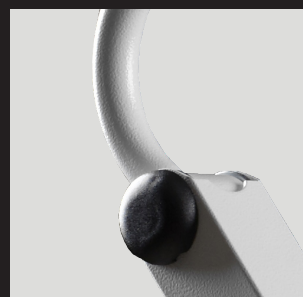
| | |
|--|--|
| Power | 13.7 W |
| Supply | 110-240 V |
| Illuminance at 50cm | 1.800 lux |
| Light intensity adjustment (Dimmer) | 5% - 100% |
| Colour temperature | 4.000 K |
| Reflector's length | 400 mm |
| Diameter of the light field | 700 x 650 mm |
| Product's life | 60.000 hours |
| Colour Rendering Index (CRI) | 94 Ra |
| Luminous flux | 2.200 lm |
| Structure | Reflector + pantograph arm with spring |
| IP Protection | IP20 |
| IK Protection | IK05 |
| Class | III |
| Cabling | Plug-top transformer with AWG 2X21; plug type C (European - 2 pins) - upon request type G (British - 3 pins) |
| Fixing systems | S11, S12, S15, RL |
| Colours | Hammered grey, Hammered white |
| Code | 166-LED-GM, 166-LED-BM |



CODE

GM **GOLD-LED-GM**
Hammered grey

BM **GOLD-LED-BM**
Hammered white



The GOLD-LED model, thanks to its sturdy structure and because of its curved shape reflector, is well suited in goldsmithery and wherever precision may be needed.

GOLD-LED

ACCESSORIES



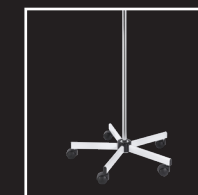
S11



S12MED



S15



RL



KITB24RL

| | |
|--|--|
| Power | 13.7 W |
| Supply | 110-240 V |
| Illuminance at 50cm | 1.800 lux |
| Light intensity adjustment (Dimmer) | 5% - 100% |
| Colour temperature | 4.000 K |
| Reflector's length | 400 mm |
| Diameter of the light field | 700 x 650 mm |
| Product's life | 60.000 hours |
| Colour Rendering Index (CRI) | 94 Ra |
| Luminous flux | 2.200 lm |
| Structure | Reflector + joints |
| IP Protection | IP20 |
| IK Protection | IK05 |
| Class | III |
| Cabling | Plug-top transformer with AWG 2X21; plug type C (European - 2 pins) - upon request type G (British - 3 pins) |
| Fixing systems | S11, S12MED, S15, RL |
| Colours | Hammered grey, Hammered white |
| Code | GOLD-LED-GM, GOLD-LED-BM |

