

AUGMENTED REALITY



Compatible with iOS devices



The product is designed to provide light at 5.000 K and is therefore well suited for use in the goldsmithery field. Thanks to the large rectangular reflector, 160-LED can illuminate extensive working areas. The pantograph arm allows easy movement.

160-LED

ACCESSORIES



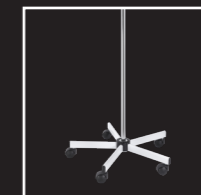
S11



S12



S15

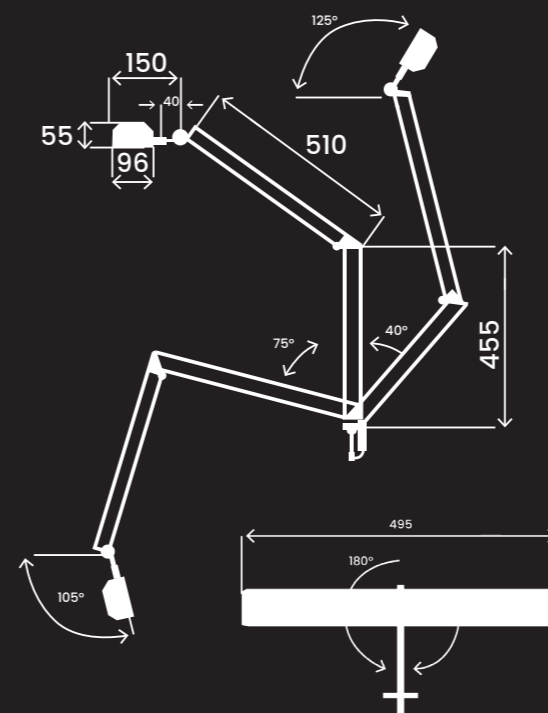


RL



KITB24RL

Power	13.7 W
Supply	110-240 V
Illuminance at 50 cm	1.800 lux
Colour temperature	4.000 K
Light intensity adjustment (Dimmer)	5% - 100%
Reflector's size	495 x 95 mm
Diameter of the light field	800 x 650 mm
Product's life	60.000 hours
Structure	Pantograph
IP Protection	IP20
IK Protection	IK05
Cabling	Plug-top transformer with AWG 2X21; plug type C (European - 2 pins) - upon request type G (British - 3 pins)
Class	III
Fixing systems	S11, S12, S15, RL
Colours	Hammered grey, Hammered white
Code	160-LED-GM, 160-LED-BM



CODE

- GM** **160-LED-GM**
Hammered grey
- BM** **160-LED-BM**
Hammered white

